

**HART**  
**S P O R T**



**21-105**

**Player Table**  
**Tennis Table**

**!** Before starting to assemble the table tennis table please read the assembly instructions carefully. Please keep the instructions for your information, for maintenance and for ordering spare parts.

✱ At least two adults have to participate in the assembly of the table tennis table which should be carried out on a clean soft floor.

✱ Before commencing the assembly, check all the parts according to the Parts List on page 6.

✱ Please follow the ABC references for the order of the assembly.

✱ If there is a Part Mark, please read the information relating to it on the Parts List on page 6.

✱ Please use the tools as indicated for each assembly step.

✱ Please refer to the assembly video found at [www.hartsport.com.au](http://www.hartsport.com.au) or [www.hartsport.co.nz](http://www.hartsport.co.nz). Search for 21-105. Or you can scan the QR Code below to view the video on your hand held device.

**13** ——— Part mark



——— Tools required



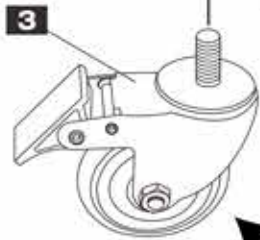
Scan for  
Video Online



——— Two people required for this step



**A1**



**2**

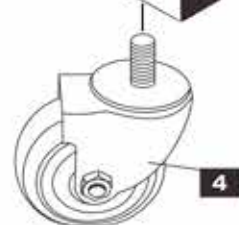


This hole is on the lockable wheel side!

Ensure one lockable wheel is on each base!

**A3**

**A2**

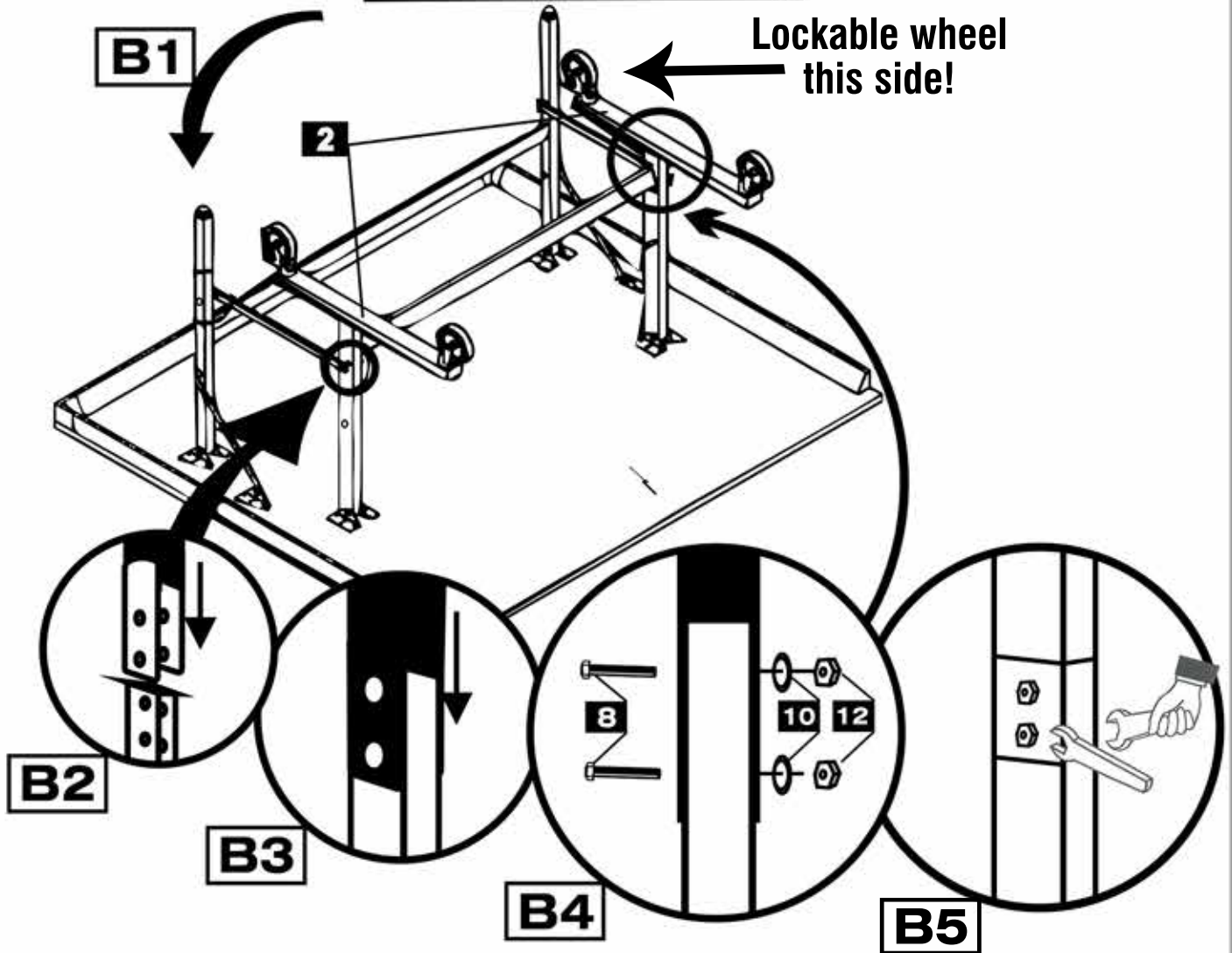
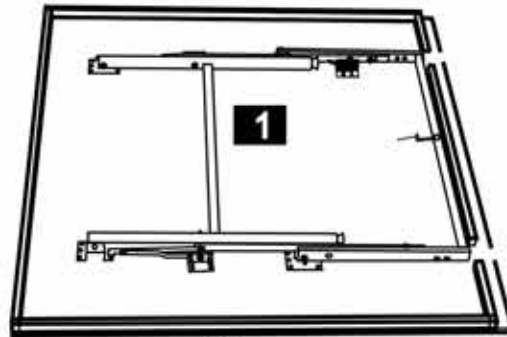


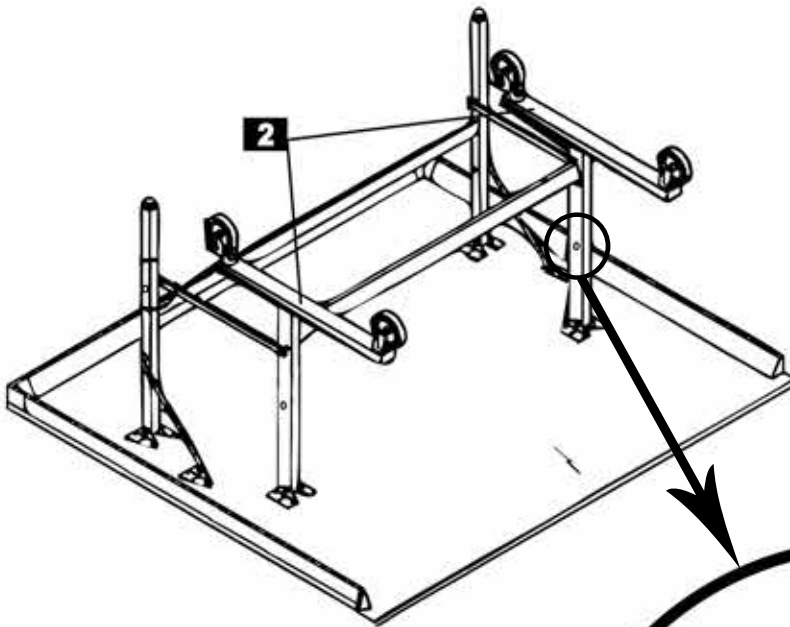
**A4**





**Repeat this  
step for both  
table pieces!**





Repeat this step for both table pieces. Must be diagonal from one another!

